

ROUND CEILING DIFFUSERS



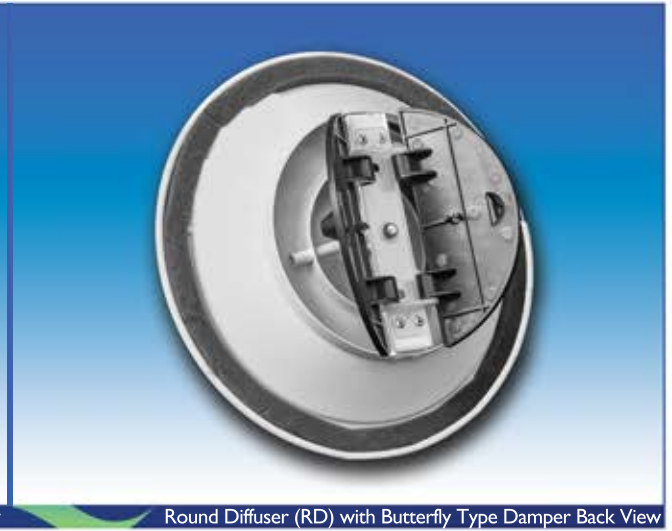
SRD
RRD

Supply Round Diffuser
Return Round Diffuser



intertek

ROUND DIFFUSERS (SRD / RRD)



Products Features:

- Supply or exhaust round ceiling diffusers with fully adjustable cores to provide horizontal or vertical air pattern.
- Removable inner cores permit easy installation and access to duct.
- Sponge gasket added to prevent streaking.
- Construction: Aluminium
- Standard Finish: White powder coated. Other colors are available upon request.

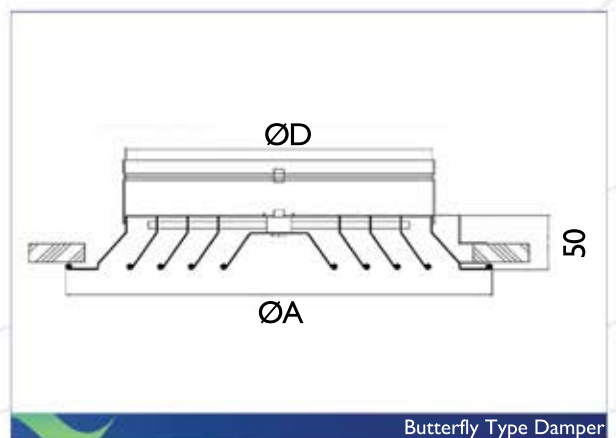
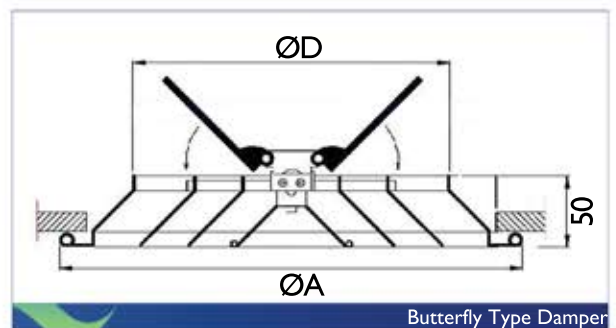
- Damper (optional) for volume control in round neck diffusers is available with Butterfly Type Damper

Application:

- Heating, Cooling or Ventilation requiring wide diffusion effect. For ceiling or exposed duct installation.

Dimension in MM

SIZE	AØ	DØ
150	250	145
200	300	195
250	350	245
300	400	295
350	450	345
400	500	405
450	550	455
521	653	521
573	704	573
625	756	625



ROUND DIFFUSERS (SRD / RRD)



Round Diffuser (RD) with Rotating Type Damper Front View



Round Diffuser (RD) with Rotating Type Damper Back View

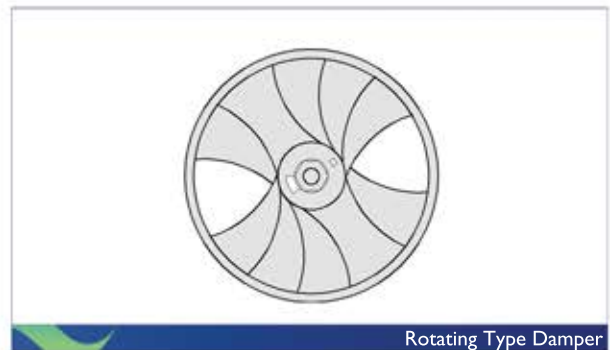
Products Features:

- Supply or exhaust round ceiling diffusers with fully adjustable cores to provide horizontal or vertical air pattern.
- Removable inner cores permit easy installation and access to duct.
- Sponge gasket added to prevent streaking.
- Construction: Aluminium
- Standard Finish: White powder coated. Other colors are available upon request.

- Damper (optional) for volume control in round neck diffusers is available with Rotating Type Damper

Application:

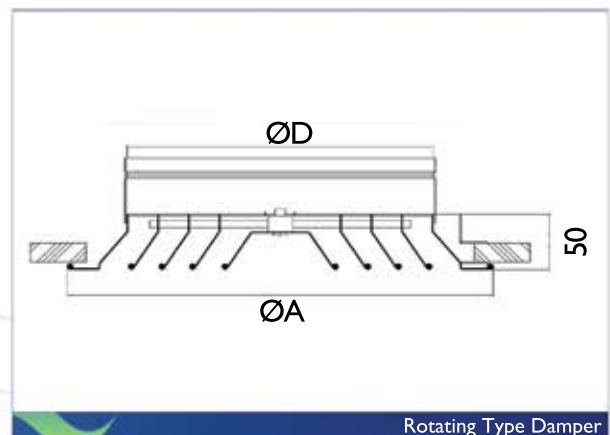
- Heating, Cooling or Ventilation requiring wide diffusion effect. For ceiling or exposed duct installation.



Rotating Type Damper

Dimension in MM

SIZE	AØ	DØ
150	250	145
200	300	195
250	350	245
300	400	295
350	450	345
400	500	405
450	550	455
521	653	521
573	704	573
625	756	625



Rotating Type Damper

PERFORMANCE DATA - RD

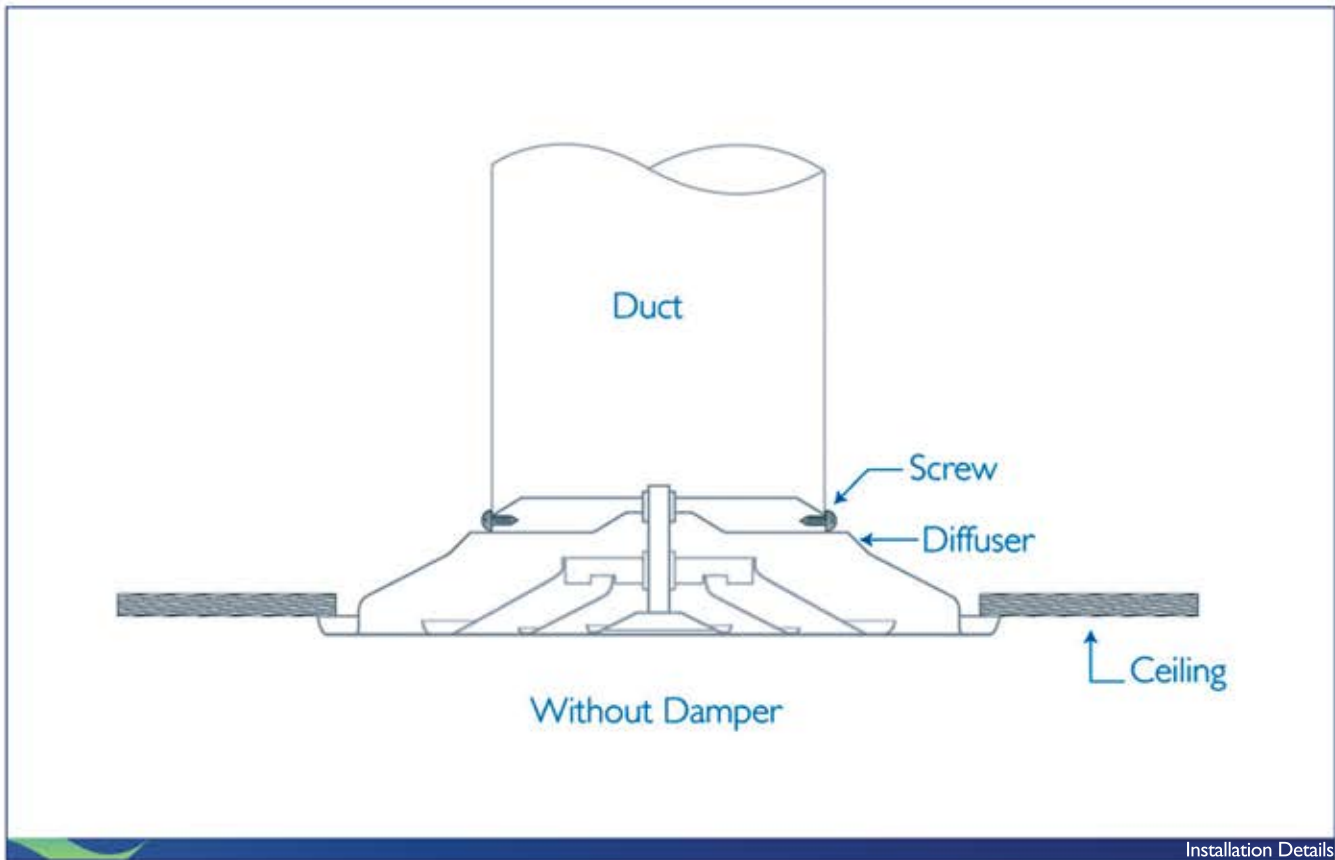
MODEL (m ³ /h)	SIZES	150	200	250	300	350
200	Vel	5.50	2.39	1.55	1.08	0.81
	P	2.22	0.57	0.35	0.27	0.23
	T min	1.00	0.66	0.53	0.44	0.38
	T max	1.61	1.15	0.98	0.87	0.79
	dB(A)	<14	<14	<14	<14	<14
400	Vel	10.99	4.78	3.10	2.15	1.61
	P	8.33	1.73	0.83	0.5	0.36
	T min	1.99	1.31	1.06	0.88	0.76
	T max	43	2.03	1.69	1.45	1.28
	dB(A)		31	20	<14	<14
600	Vel		7.17	4.65	3.23	2.42
	P		3.66	1.64	0.89	0.58
	T min		1.97	1.59	1.32	1.14
	T max		2.90	2.39	2.04	1.80
	dB(A)		43	33	24	16
800	Vel			6.20	4.31	3.22
	P			2.11	1.44	0.89
	T min			2.11	1.76	1.52
	T max			3.10	2.63	2.31
	dB(A)			40	31	24

Vel = Neck Velocity m/s
 P = Pressure Drop, mm H₂O
 T = Throw, m
 dB(A) = Noise Level

NOTES

1. Throw is based on a 0° temperature differentia
2. The dB(A) values are based on a 10db room attenuation.
3. Performance Data are subject to change without notice for further improvement
4. Performance Data of 400 and above are not available now

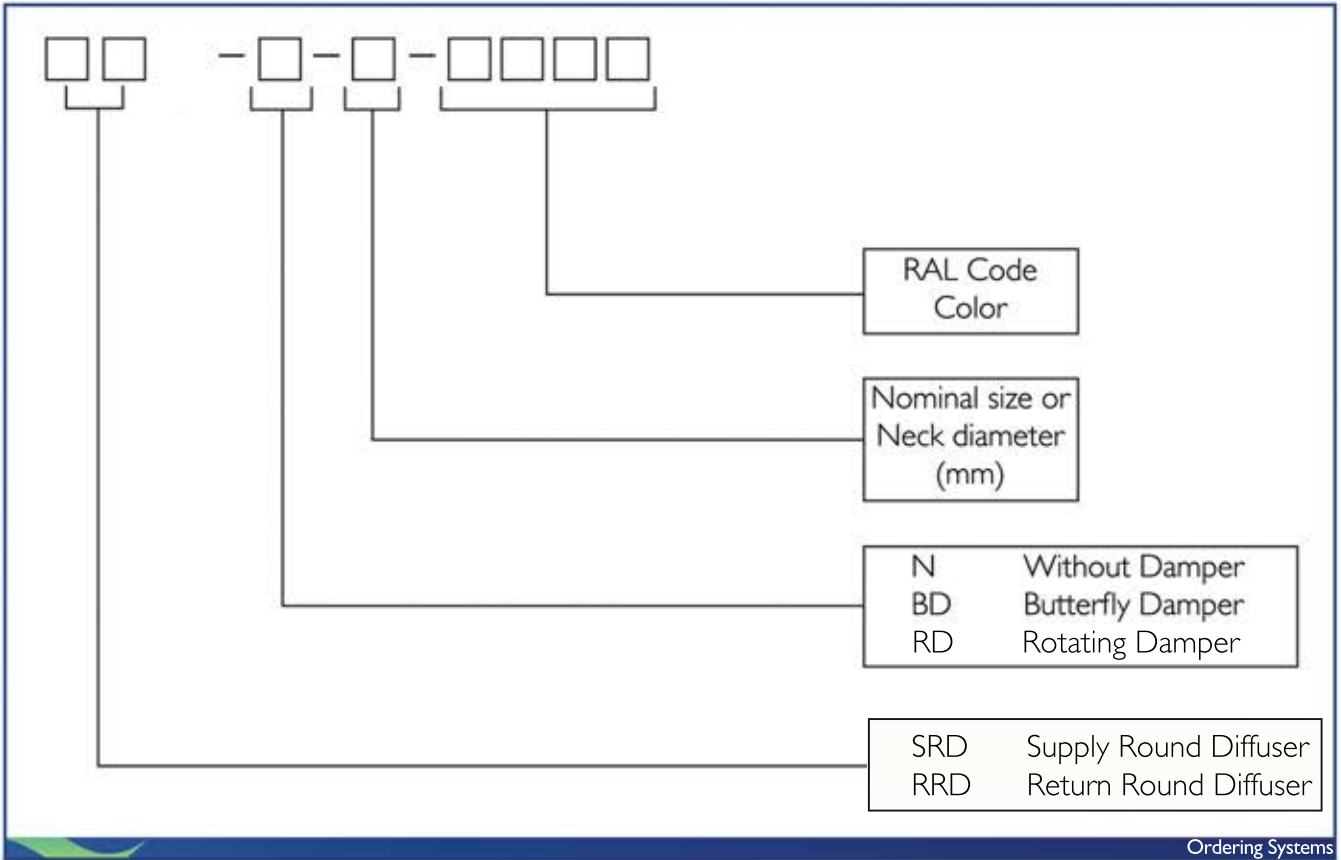
INSTALLATION DETAILS



Installation Details

1. Install outer core of the circular diffuser by means of ceiling hangers or with the help of self tapping screws. Duct joints are then sealed with adhesive tape.
2. Center core assembly can be detached or attached by rotating anti-clockwise or clockwise direction.
3. Horizontal or vertical discharge pattern could be achieved by rotating the center core clockwise or anti-clockwise direction.
 - a. Rotate the center core clockwise until you get required horizontal discharge pattern.
 - b. Rotate anti-clockwise to get required vertical discharge pattern.
4. Damper is attached to the outer core collar of the diffuser. (Factory assembled for supply diffuser only.)

ORDERING SYSTEM



Ordering Systems

ORDERING SYSTEM

SRD - BD - 500mm - 9016

Stands for Round Ceiling Diffuser with adjustable cores, with Butterfly Damper, neck size 500mm Dia, powder coated RAL9016.